

ENGINEERING CHANGE ORDER

E.C.O. NO. XXXXXXXXXX

430 FOREIGN
MODELS AFFECTED

DATE: 2-1-91

EFFECTIVITY: 2-4-91,
4302600 & 4301123 ONLY,
PER LEO CUMMINS.
4302603 KIT-3-15-91

SHEET 1 OF 1

DISTRIBUTION:

<u>NAME</u>	<u>PRINTS</u>	<u>NAME</u>	<u>PRINTS</u>	<u>NAME</u>	<u>PRINTS</u>
BAUER	4	HOEPER	-	MILSTER	-
COOPER	-	KUESER	-	REED	1
CUMMINS	-	MATTHEWS	-	THOMSON	*1
GANTZERT	4	GARVELS	-	WATKINS	-
EWING	-	HART	-	WILSON	-
MICROFILM	1	BOSWELL	-	WIESE	1
KRAUSE	-			ZANITSCH	1

*SERVICE ITEMS

SPECIAL DISTRIBUTION: SIMPSON-WIRING DIAGRAMS (100 EACH).

DESCRIPTION OF CHANGE:

A NEW PART NUMBER WAS ASSIGNED TO IDENTIFY MODIFICATIONS MADE TO THE FOREIGN MAIN DOOR HARNESS, PART NUMBER 4302004. MODIFICATIONS INCLUDE ADDING J66 TO MATE WITH THE NEW HEATER JUMPER, A SERVICE ITEM, J18 CHANGED TO 4 POSITIONS WITH POLARITY PINS TO AVOID MIS-REGISTRATION, CHANGED P27 TO 3191 MX PLUG BECAUSE THE P27 WAS TOO CLOSE TO J28 AND DOUBLE WIRE COVER AND 4 WIRE TIES WERE REMOVED.

A NEW PART NUMBER WAS ASSIGNED TO IDENTIFY MODIFICATIONS MADE TO THE FOREIGN POWER HARNESS, PART NUMBER 4301115. MODIFICATIONS INCLUDE TERMINAL CHANGES TO REMOVE THE FUSE ON U.K. MACHINES AND J27 CHANGED TO 3191 MX PLUG TO MATCH P27.

THE TWO NEW HARNESSES MUST BE INCORPORATED SIMULTANEOUSLY; ENGINEERING WILL REWORK ANY IMBALANCE OF HARNESSES TO IMPLEMENT THE CHANGE.

A NEW FOREIGN HEATER KIT IS BEING ESTABLISHED FOR USE ON 430 FOREIGN MERCHANDISERS EQUIPPED WITH THE AFOREMENTIONED NEW HARNESSES.

TECHNICAL PUBLICATIONS WILL REVISE THE DOMESTIC HEATER KIT INSTRUCTIONS TO INCLUDE THE FOREIGN HEATER KIT.

NEW ITEMS (ALL ARE REV. A, DTD. 1-23-91):
4301123 HARNESS-POWER-U.K./GER. & FR. (PC7-7)
4302600 HARNESS-MAIN DOOR-FOREIGN (PC7-7)
4302602 JUMPER-HEATER (SERVICE, PC7-P)
4302603 KIT-HEATER-FOREIGN (SERVICE, MA7-P)

OBSOLETES: IN ASSEMBLIES:
4301115 4301111 & 4301112
4302004 4302062
- - - - - -
- - - - - -

CONTINUED ON SHEET 2

REVISIONS:

4302595 INSTRUCTIONS-INSTALLATION-MONETARY HEATER KITS

4300006 WIRING DIAGRAM-U.K., REV. B

4300008 WIRING DIAGRAM-GER., REV. C

ENGINEERING HAS PURCHASED 100 REDUCED COPIES OF EACH OF THE REVISED WIRING DIAGRAMS; COPIES WILL BE GIVEN TO VERA SIMPSON. THE PHOTO POSITIVES AND AND NEGATIVES WILL BE GIVEN TO PURCHASING FOR FUTURE REQUIREMENTS.

DISPOSITION OF STOCK:

USE ALL STOCK; ENGINEERING WILL REWORK HARNESSSES WHERE NECESSARY.

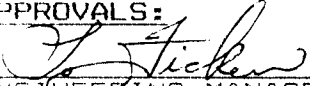
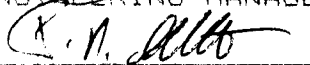
AS IN THE PAST, ITEMS WILL NOT BE MADE SERVICE FOR FOREIGN APPLICATIONS.

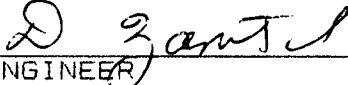
STRUCTURE REVISIONS:


ADD NEW HARNESSSES, STRUCTURE NEW KIT AND UPDATE REVISION FILES AS OUTLINED IN THE DESCRIPTION OF CHANGE.

REVISE THE DESCRIPTION FOR KIT INSTRUCTIONS 4302595.

APPROVALS:


ENGINEERING MANAGER



ENGINEER
ENGINEERING
REQUESTED BY


D. MILSTER
PREPARED BY

KIT PART NUMBER 4302594

INSTRUCTIONS FOR INSTALLING A MONETARY HEATER KIT

CHECK THE PARTS RECEIVED IN THE KIT WITH THE PARTS LIST IN THESE INSTRUCTIONS. IF ANY PARTS ARE MISSING, CONTACT NATIONAL VENDORS' PARTS DEPARTMENT IMMEDIATELY.

Read these instructions carefully before installing the kit.
Retain these instructions for part numbers and for future reference.

This kit contains the following:

PART NUMBER	DESCRIPTION	QUANTITY
4302591	Harness Assembly - 4 Watt Heater	1
4751097	Jumper - Heater (Domestic model only)	1
4302602	Jumper - Heater (Foreign model only)	1
4302595	Instructions - Installation	1

INSTALLING THE MONETARY HEATER WITH A NEW STYLE COIN HANDLING HARNESS IN A DOMESTIC MERCHANDISER

Refer to Figure 1 while performing the following procedure.

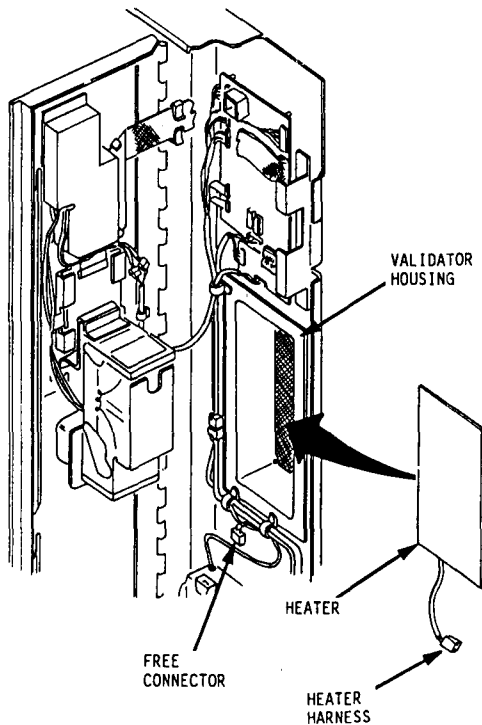


Figure 1.

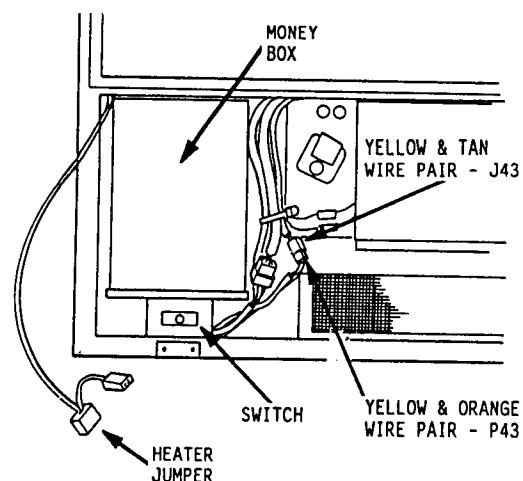
WARNING

DISCONNECT THE MERCHANDISER FROM ITS POWER SOURCE BEFORE STARTING THIS INSTALLATION PROCEDURE.

1. Remove the protective covering from the adhesive on the back of the heater.
2. Position the heater over the shaded portion of the validator housing. Press firmly to secure the heater in place.
3. Connect the heater harness to the free connector of the coin handling harness.

INSTALLING THE MONETARY HEATER WITH AN OLD STYLE COIN HANDLING HARNESS IN A DOMESTIC MERCHANDISER

Refer to Figure 2 while performing the following procedure.



WARNING

DISCONNECT THE MERCHANDISER FROM ITS POWER SOURCE BEFORE STARTING THIS INSTALLATION PROCEDURE.

1. Separate J43 and P43.
2. Insert the heater jumper between J43 and P43.
3. Route the heater harness under the switch and to the left of the money box.
4. Feed the heater jumper through the hole in the door.
5. Route the heater jumper to the right of the coin mechanism.
6. Remove the protective covering from the adhesive on the back of the heater.
7. Position the heater over the shaded portion of the validator housing. Press firmly to secure the heater in place.
8. Connect the heater harness to the heater jumper.
9. Open cable clamps 1 and 2 and use them to hold the heater jumper in place.

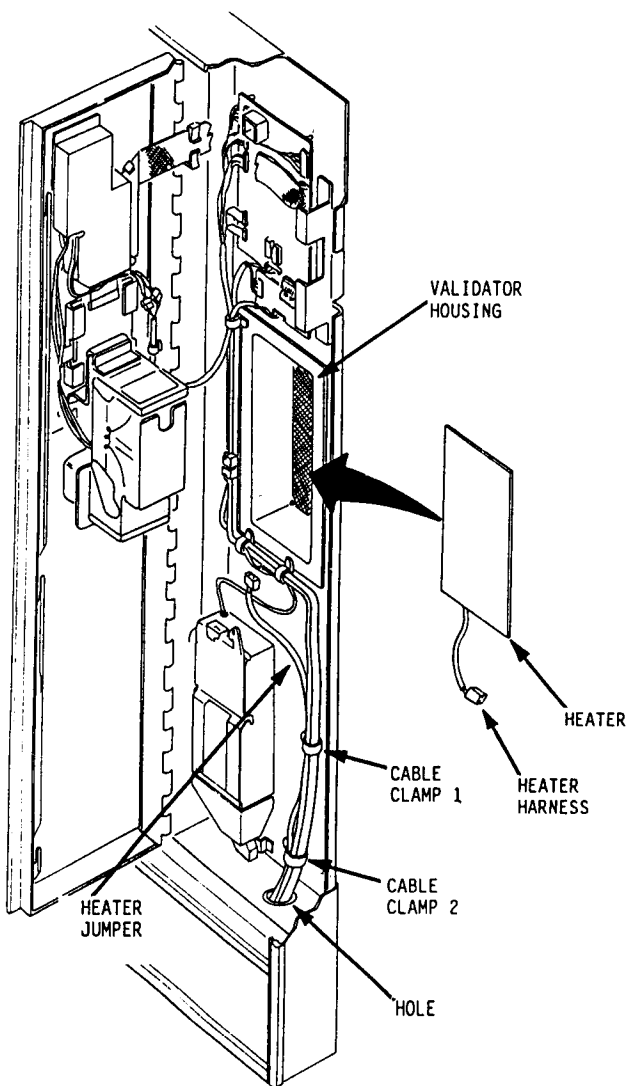
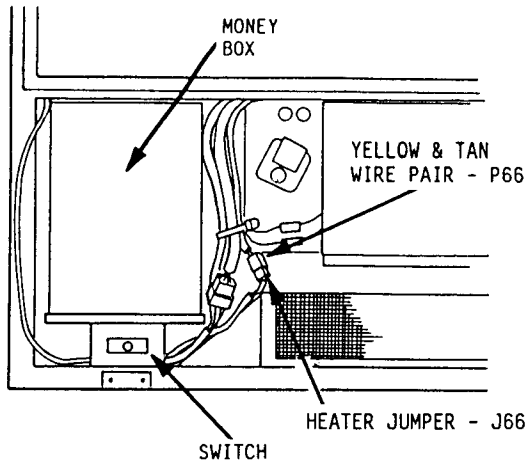


Figure 2.

INSTALLING THE MONETARY HEATER IN A FOREIGN MERCHANDISER

Refer to Figure 3 while performing the following procedure.



WARNING

DISCONNECT THE MERCHANDISER FROM ITS POWER SOURCE BEFORE STARTING THIS INSTALLATION PROCEDURE.

1. Connect the heater jumper at P66.
2. Route the heater harness under the switch and to the left of the money box.
3. Feed the heater jumper through the hole in the door.
4. Route the heater jumper to the right of the coin mechanism.
5. Remove the protective covering from the adhesive on the back of the heater.
6. Position the heater over the shaded portion of the validator housing. Press firmly to secure the heater in place.
7. Connect the heater harness to the heater jumper.
8. Open cable clamps 1 and 2 and use them to hold the heater jumper in place.

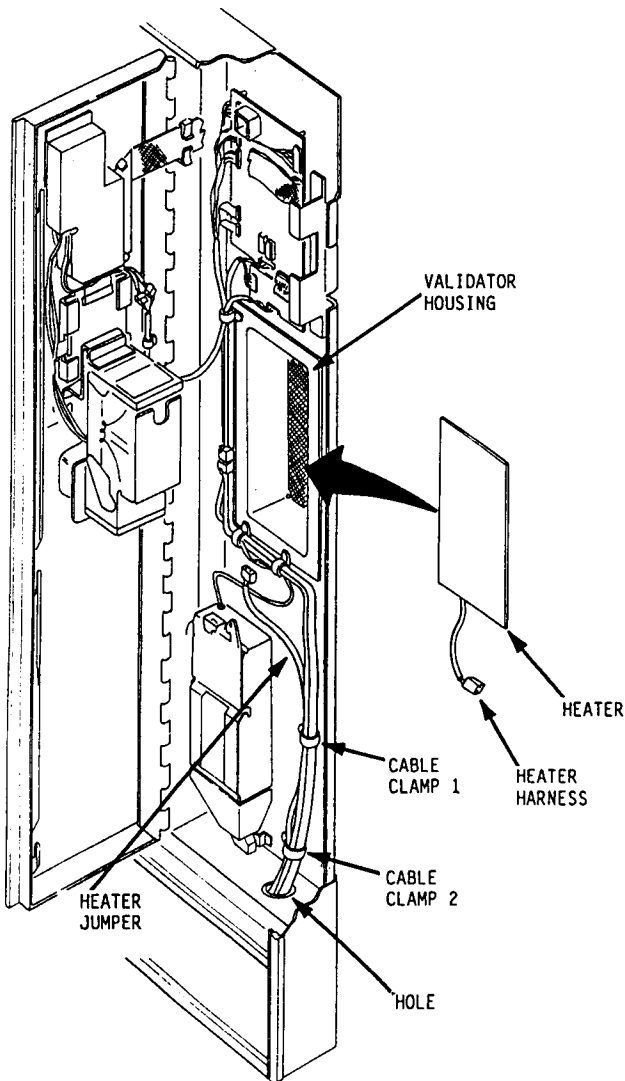


Figure 3.

KIT PART NUMBER 4302594

INSTRUCTIONS FOR INSTALLING A MONETARY HEATER KIT

CHECK THE PARTS RECEIVED IN THE KIT WITH THE PARTS LIST IN THESE INSTRUCTIONS. IF ANY PARTS ARE MISSING, CONTACT NATIONAL VENDORS' PARTS DEPARTMENT IMMEDIATELY.

Read these instructions carefully before installing the kit.
Retain these instructions for part numbers and for future reference.

This kit contains the following:

PART NUMBER	DESCRIPTION	QUANTITY
4302591	Harness Assembly - 4 Watt Heater	1
4751097	Jumper - Heater (Domestic model only)	1
4302602	Jumper - Heater (Foreign model only)	1
4302595	Instructions - Installation	1

INSTALLING THE MONETARY HEATER WITH A NEW STYLE COIN HANDLING HARNESS IN A DOMESTIC MERCHANDISER

Refer to Figure 1 while performing the following procedure.

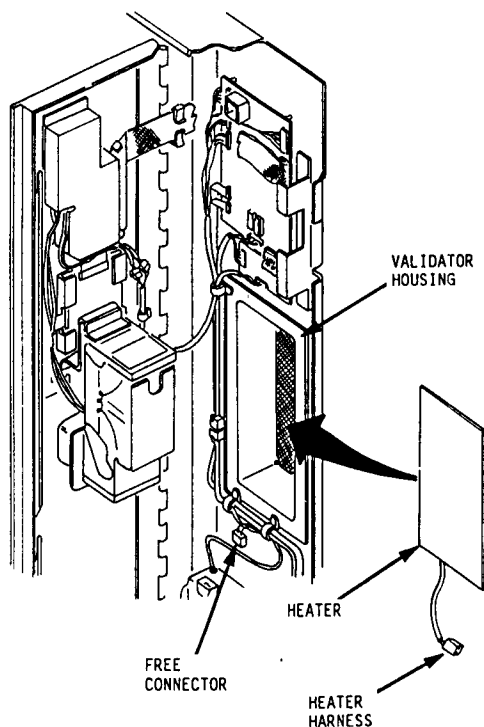


Figure 1.

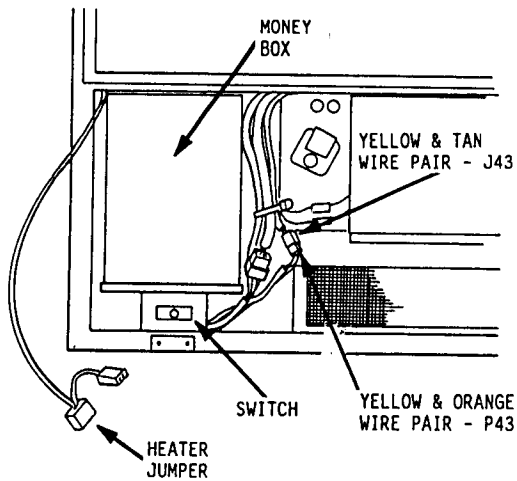
WARNING

DISCONNECT THE MERCHANDISER FROM ITS POWER SOURCE BEFORE STARTING THIS INSTALLATION PROCEDURE.

1. Remove the protective covering from the adhesive on the back of the heater.
2. Position the heater over the shaded portion of the validator housing. Press firmly to secure the heater in place.
3. Connect the heater harness to the free connector of the coin handling harness.

INSTALLING THE MONETARY HEATER WITH AN OLD STYLE COIN HANDLING HARNESS IN A DOMESTIC MERCHANDISER

Refer to Figure 2 while performing the following procedure.



WARNING

DISCONNECT THE MERCHANDISER FROM ITS POWER SOURCE BEFORE STARTING THIS INSTALLATION PROCEDURE.

1. Separate J43 and P43.
2. Insert the heater jumper between J43 and P43:
3. Route the heater harness under the switch and to the left of the money box.
4. Feed the heater jumper through the hole in the door.
5. Route the heater jumper to the right of the coin mechanism.
6. Remove the protective covering from the adhesive on the back of the heater.
7. Position the heater over the shaded portion of the validator housing. Press firmly to secure the heater in place.
8. Connect the heater harness to the heater jumper.
9. Open cable clamps 1 and 2 and use them to hold the heater jumper in place.

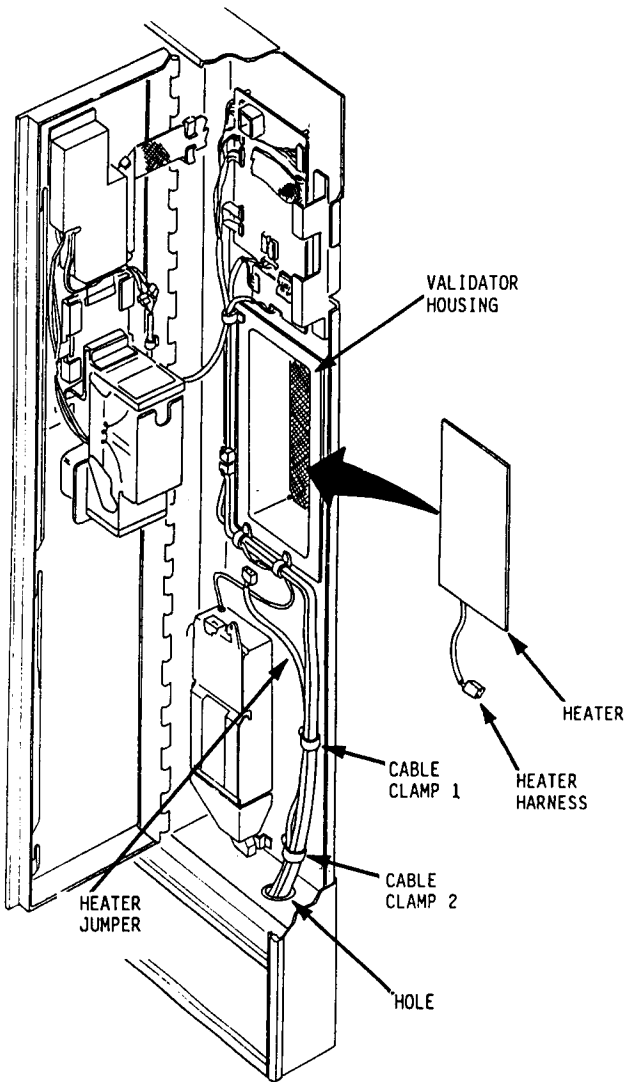
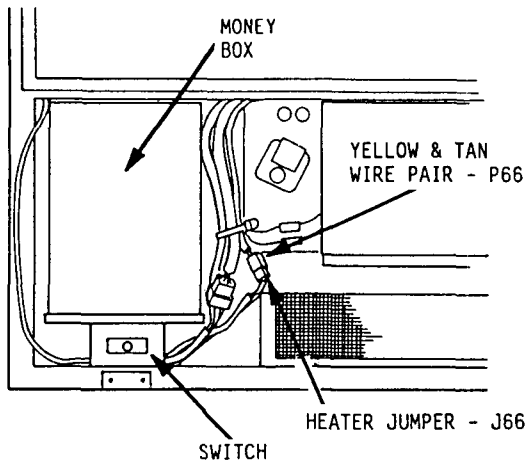


Figure 2.

INSTALLING THE MONETARY HEATER IN A FOREIGN MERCHANDISER

Refer to Figure 3 while performing the following procedure.



WARNING

DISCONNECT THE MERCHANDISER FROM ITS POWER SOURCE BEFORE STARTING THIS INSTALLATION PROCEDURE.

1. Connect the heater jumper at P66.
2. Route the heater harness under the switch and to the left of the money box.
3. Feed the heater jumper through the hole in the door.
4. Route the heater jumper to the right of the coin mechanism.
5. Remove the protective covering from the adhesive on the back of the heater.
6. Position the heater over the shaded portion of the validator housing. Press firmly to secure the heater in place.
7. Connect the heater harness to the heater jumper.
8. Open cable clamps 1 and 2 and use them to hold the heater jumper in place.

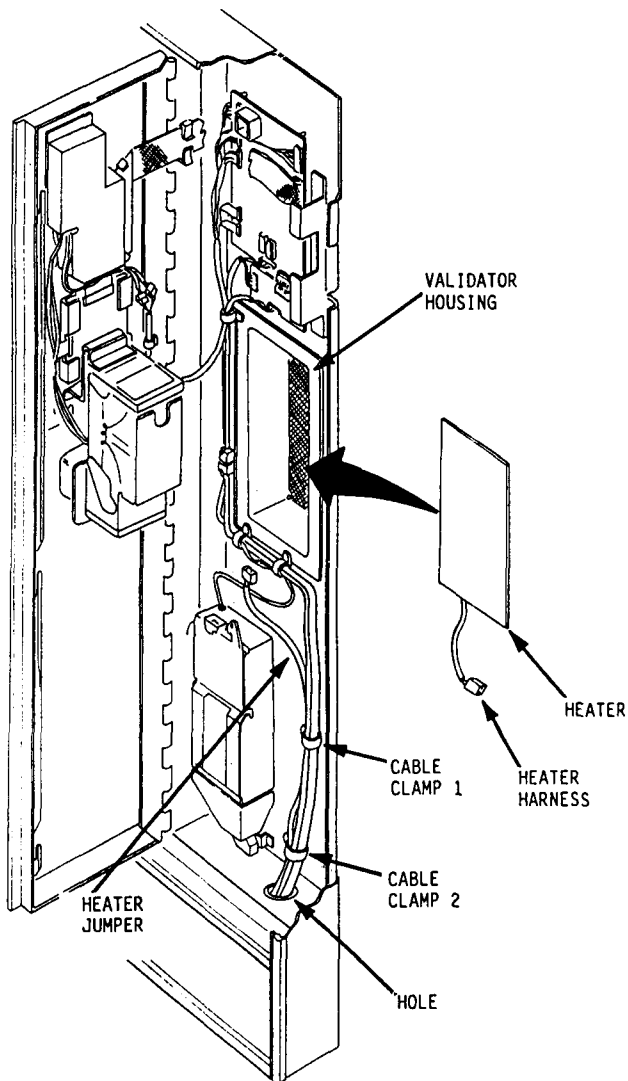


Figure 3.

① P66 is not presently being used
limited demand to
P66.

- ② As per spec 3-9
- ③ for domestic version
- ④
- ⑤
- ⑥
- ⑦
- ⑧

PART NO. 4302602.	PART NAME JUMPER - HEATER - Foreal	DATE 1 9 91	REVISION				
MATERIAL	FINISH	Drawn by FWK	LTR A	DESCRIPTION ECO NO. 430-919	EQO NO -	DATE 1-23-91	Approved by
NATIONAL VENDORS® A DIVISION OF CRANE CO. ST. LOUIS, MO. 63115		TOLERANCES • 2 PLACE DECIMAL ± .02 UNLESS • 3 PLACE DECIMAL ± .005 OTHERWISE • ANGLES ± 1/2" EXCEPT SPECIFIED • FORMED ANGLES ± 1" CONCENTRICITY T.I.R. .010	Checked by	Approved by			
				D12			

NOTES:

1. TOLERANCE + .25 IN.
2. HARNESS TO BE FURNISHED BY A U.L. RECOGNIZED, CSA CERTIFIED SUPPLIER. PACKAGING TO HAVE U.L. & CSA MARKINGS.
3. WIRE MUST BE FREE OF SPLICES, CONTINUOUSLY STRANDED AND TINNED COPPER.
4. SUPPLIERS TO BE APPROVED BY N.V. *
5. HARNESS MUST BE ELECTRONICALLY TESTED 100% FOR POINT TO POINT CONTINUITY (OPENS AND SHORTS) AND CROSSED WIRING.
6. CODE NUMBERS MUST APPEAR WITHIN 1.50 / .75 OF EACH END.

WIRE NOTES:

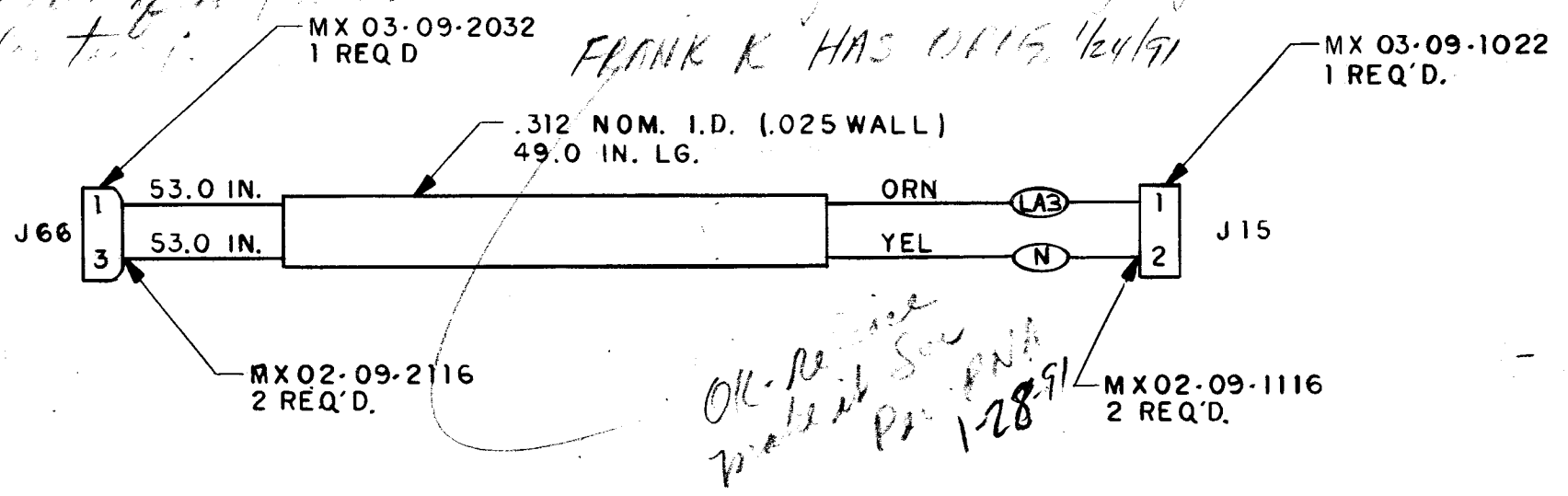
20 AWG .031 INS.
 10 X 30 STRANDED CONDUCTOR
 U.L. STYLE: 1015
 CSA TYPE: TEW

WIRE COVER NOTES:

U.L. 600V VW-1
 CSA: 600V OFT PVC
 COLOR: BLACK

Notes: This harness was cancelled because the price for each part was too high and Paul A. V... if they want it standard or different they need to be a partner.

FRANK K HAS OFFICE 1/24/91



PART NO. 4751097		PART NAME JUMPER-HEATER		DATE 5-25-90	DWG. NO.			SH.	REV.	
MATERIAL SEE NOTE		FINISH SEE NOTE		Drawn by FWK	REVISION			ECO NO.	DATE	Approved by
				Checked by R.L.S.	A	ECO # 415-134		6-15-90		
NATIONAL VENDORS® A DIVISION OF CRANE CO. ST. LOUIS, MO. 63115		UNLESS OTHERWISE SPECIFIED DIMENSIONS ARE IN INCHES		TOLERANCES • UNLESS OTHERWISE SPECIFIED	SCALE	Approved by P.V.				
		2 PLACE DECIMAL ± .02 3 PLACE DECIMAL ± .005 ANGLES ± 1/2" EXCEPT FORMED ANGLES ± 1" CONCENTRICITY T.I.R. .010								

NOTES

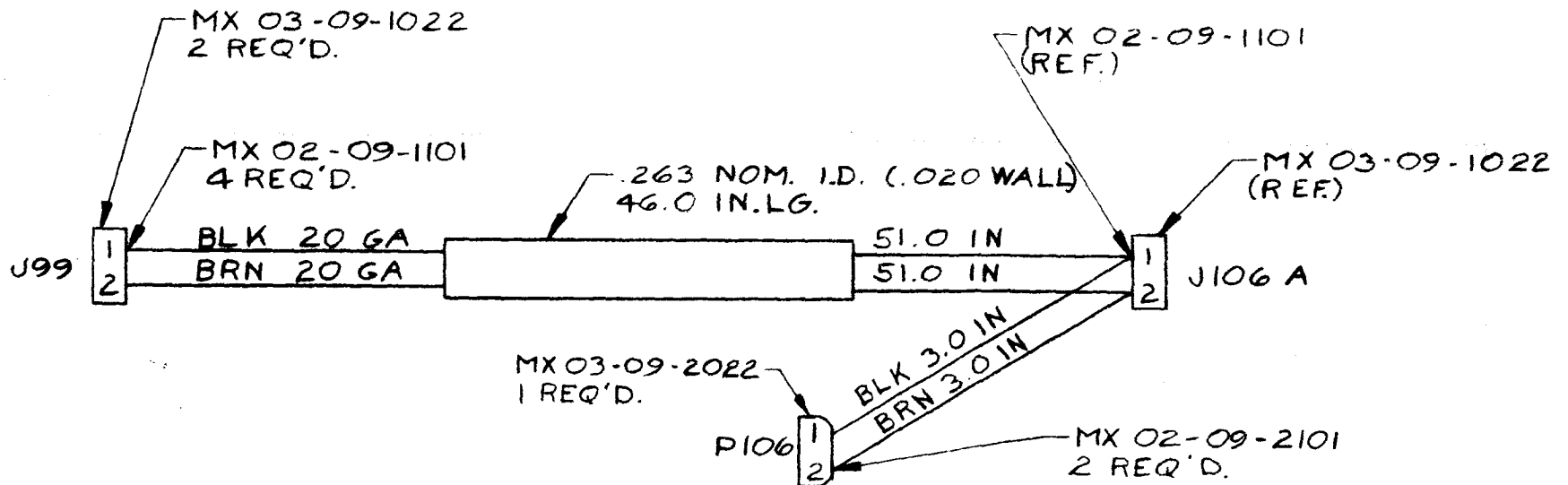
1. TOLERANCE + .25 IN.
2. HARNESS TO BE FURNISHED BY A U.L. RECOGNIZED CSA CERTIFIED SUPPLIER. PACKAGING TO HAVE U.L. & CSA MARKINGS.
3. WIRE MUST BE FREE OF SPLICES, CONTINUOUSLY STRANDED AND TINNED COPPER.
4. SUPPLIERS TO BE APPROVED BY N.V.

WIRE NOTES

20 AWG .031 INS.
10 X 30 STRANDED CONDUCTOR
U.L. STYLE: 1015
CSA TYPE: TEW

WIRE COVER NOTES

U.L. 600V VW-1
CSA: 600V OFT PVC
COLOR: BLACK



SERVICE 430

1-28-91

DWG. NO.

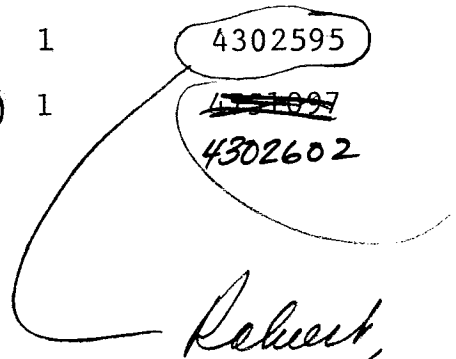
SH. REV.

PART NO. 4302594		PART NAME KIT-MONETARY HEATER - FOREIGN		DATE 1-22-90	REVISION 1-28-91				
MATERIAL			FINISH	Drawn by D.E.	LTR A	DESCRIPTION ECO NO. 430-266319	ECO NO. -	DATE 1-22-90	Approved by S.P.
				Checked by	B	ADDED 4751697	M-43686-19-90	S.P.	
NATIONAL VENDORS® A DIVISION OF CRANE CO. ST. LOUIS, MO. 63115		UNLESS OTHERWISE SPECIFIED DIMENSIONS ARE IN INCHES	TOLERANCES • 2 PLACE DECIMAL ± .02 UNLESS • 3 PLACE DECIMAL ± .005 OTHERWISE • ANGLES ± 1/2° EXCEPT SPECIFIED • FORMED ANGLES ± 1° CONCENTRICITY T.I.R. .010	SCALE	Approved by				

.90

THIS KIT CONSIST OF THE FOLLOWING:

QUANTITY	PART NUMBER	DESCRIPTION
1	4302591	HARNESS ASSY. - 4 WATT HEATER
1	4302595	INSTRUCTIONS-INSTALLATION-MONETARY HEATER KIT
① 1	4751697 4302602	JUMPER-HEATER



Request,

1/28/91

Is it possible to revise 4302595 to include foreign heater kit?

Don M.

SUITABLY PACKAGED PER ORDER

SERVICE 4302603

1-28-91

DWG. NO. SH. REV.

PART NO. 4302594		PART NAME KIT-MONETARY HEATER - FOREIGN		DATE 1-22-90		REVISION 1-23-91					
MATERIAL			FINISH		Drawn by D.L.	LTR	DESCRIPTION	ECO NO.	DATE	Approved by	
-----			-----			A	ECO NO. 430-266319	-	1-22-90	SFP	
						B	ADDED 4751697	M-436B	2-19-90	S.P.	
NATIONAL VENDORS® A DIVISION OF CRANE CO. ST. LOUIS, MO. 63115				UNLESS OTHERWISE SPECIFIED DIMENSIONS ARE IN INCHES		TOLERANCES • 2 PLACE DECIMAL ± .02 UNLESS • 3 PLACE DECIMAL ± .005 OTHERWISE • ANGLES ± 1/2° EXCEPT SPECIFIED • FORMED ANGLES ± 1° CONCENTRICITY T.I.R. .010		SCALE		Checked by	Approved by

.70

THIS KIT CONSIST OF THE FOLLOWING:

QUANTITY	PART NUMBER	DESCRIPTION
1	4302591	HARNES ASSY. - 4 WATT HEATER
1	4302595	INSTRUCTIONS-INSTALLATION-MONETARY HEATER KIT
① 1	4751697 4302602	JUMPER-HEATER - foreign

Don
State all change
1-23-91

Robert,

1/28/91

Is it possible to revise 4302595 to include foreign heater kit?

Don All.

SUITABLY PACKAGED PER ORDER

KIT PART NUMBER 4302594

INSTRUCTIONS FOR INSTALLING A MONETARY HEATER KIT

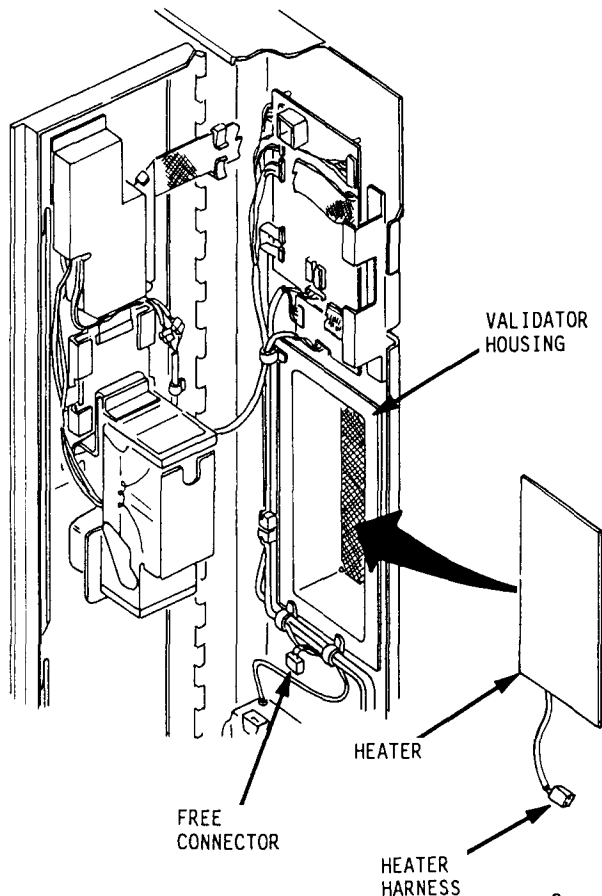
CHECK THE PARTS RECEIVED IN THE KIT WITH THE PARTS LIST IN THESE INSTRUCTIONS. IF ANY PARTS ARE MISSING, CONTACT NATIONAL VENDORS' PARTS DEPARTMENT IMMEDIATELY.

Read these instructions carefully before installing the kit.
Retain these instructions for part numbers and for future reference.

This kit contains the following:

PART NUMBER	DESCRIPTION	QUANTITY
4302591	Harness Assembly - 4 Watt Heater	1
4751097	Jumper - Heater	1
4302595	Instructions - Installation	1

INSTALLING THE MONETARY HEATER WITH A NEW STYLE COIN HANDLING HARNESS

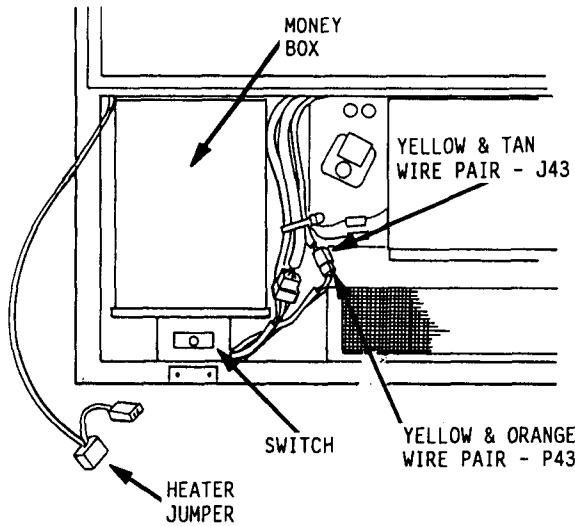


WARNING

DISCONNECT THE MERCHANTISER FROM ITS POWER SOURCE BEFORE STARTING THIS INSTALLATION PROCEDURE.

1. Remove the protective covering from the adhesive on the back of the heater.
2. Position the heater over the shaded portion of the validator housing. Press firmly to secure the heater in place.
3. Connect the heater harness to the free connector of the coin handling harness.

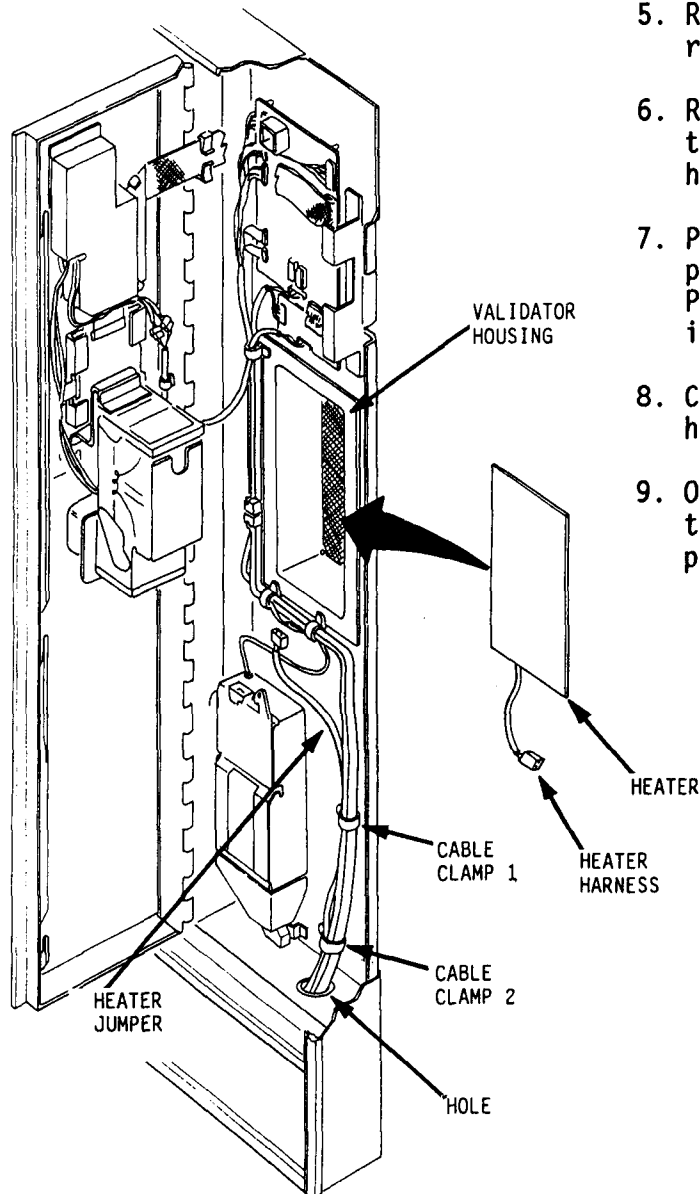
INSTALLING THE MONETARY HEATER WITH AN OLD STYLE COIN HANDLING HARNESS



WARNING

DISCONNECT THE MERCHANDISER FROM ITS POWER SOURCE BEFORE STARTING THIS INSTALLATION PROCEDURE.

1. Separate J43 and P43.
2. Insert the heater jumper between J43 and P43.
3. Route the heater harness under the switch and to the left of the money box.
4. Feed the heater jumper through the hole in the door.
5. Route the heater jumper to the right of the coin mechanism.
6. Remove the protective covering from the adhesive on the back of the heater.
7. Position the heater over the shaded portion of the validator housing. Press firmly to secure the heater in place.
8. Connect the heater harness to the heater jumper.
9. Open cable clamps 1 and 2 and use them to hold the heater jumper in place.



KIT PART NUMBER 4302594

INSTRUCTIONS FOR INSTALLING A MONETARY HEATER KIT

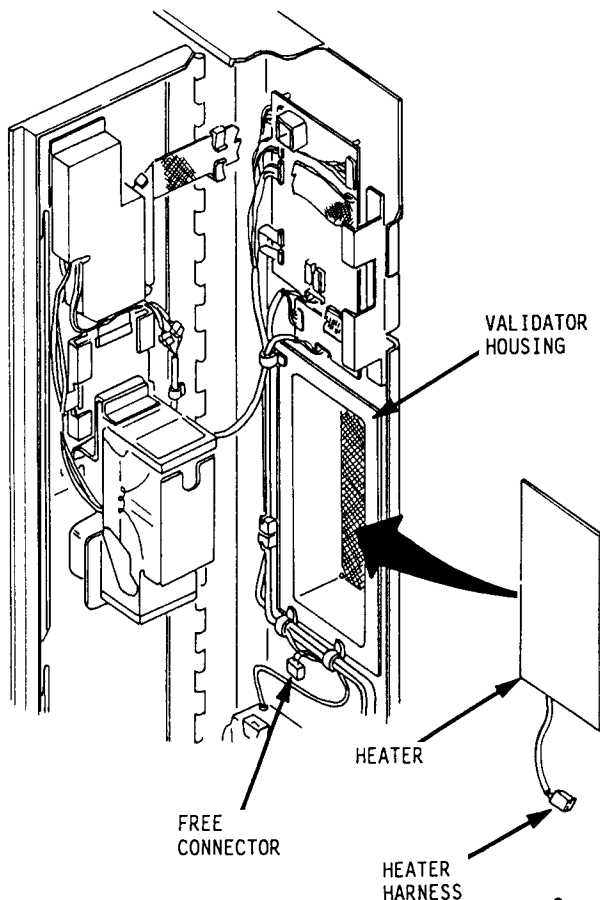
CHECK THE PARTS RECEIVED IN THE KIT WITH THE PARTS LIST IN THESE INSTRUCTIONS. IF ANY PARTS ARE MISSING, CONTACT NATIONAL VENDORS' PARTS DEPARTMENT IMMEDIATELY.

Read these instructions carefully before installing the kit.
Retain these instructions for part numbers and for future reference.

This kit contains the following:

PART NUMBER	DESCRIPTION	QUANTITY
4302591	Harness Assembly - 4 Watt Heater	1
4751097	Jumper - Heater	1
4302595	Instructions - Installation	1

INSTALLING THE MONETARY HEATER WITH A NEW STYLE COIN HANDLING HARNESS

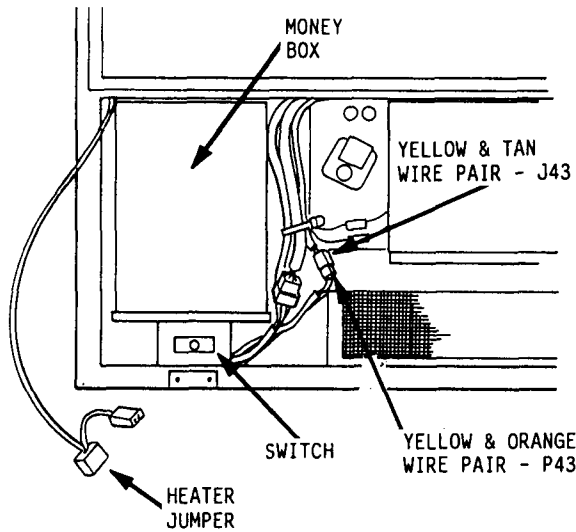


WARNING

DISCONNECT THE MERCHANDISER FROM ITS POWER SOURCE BEFORE STARTING THIS INSTALLATION PROCEDURE.

1. Remove the protective covering from the adhesive on the back of the heater.
2. Position the heater over the shaded portion of the validator housing. Press firmly to secure the heater in place.
3. Connect the heater harness to the free connector of the coin handling harness.

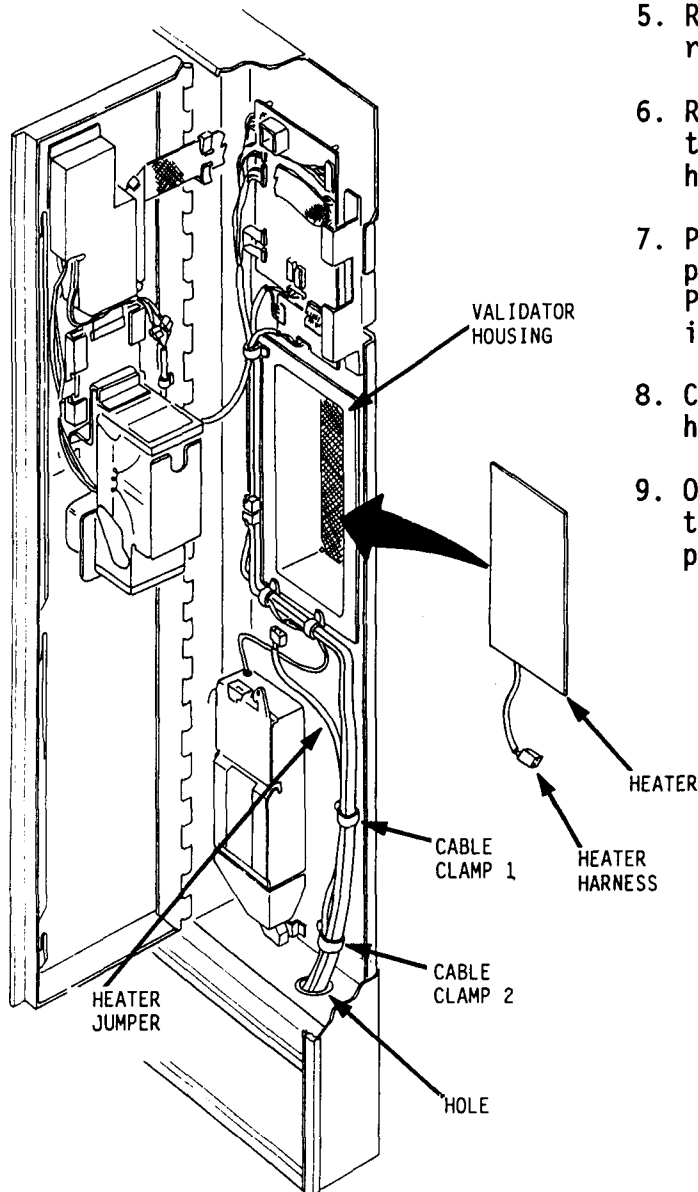
INSTALLING THE MONETARY HEATER WITH AN OLD STYLE COIN HANDLING HARNESS



WARNING

DISCONNECT THE MERCHANDISER FROM ITS POWER SOURCE BEFORE STARTING THIS INSTALLATION PROCEDURE.

1. Separate J43 and P43.
2. Insert the heater jumper between J43 and P43.
3. Route the heater harness under the switch and to the left of the money box.
4. Feed the heater jumper through the hole in the door.
5. Route the heater jumper to the right of the coin mechanism.
6. Remove the protective covering from the adhesive on the back of the heater.
7. Position the heater over the shaded portion of the validator housing. Press firmly to secure the heater in place.
8. Connect the heater harness to the heater jumper.
9. Open cable clamps 1 and 2 and use them to hold the heater jumper in place.



KIT PART NUMBER 4302594

INSTRUCTIONS FOR INSTALLING A MONETARY HEATER KIT

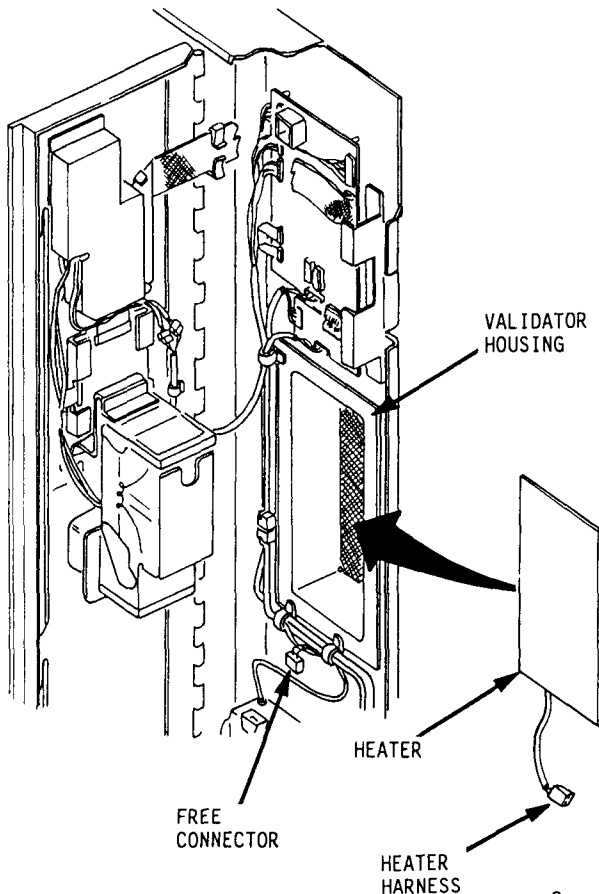
CHECK THE PARTS RECEIVED IN THE KIT WITH THE PARTS LIST IN THESE INSTRUCTIONS. IF ANY PARTS ARE MISSING, CONTACT NATIONAL VENDORS' PARTS DEPARTMENT IMMEDIATELY.

Read these instructions carefully before installing the kit.
Retain these instructions for part numbers and for future reference.

This kit contains the following:

PART NUMBER	DESCRIPTION	QUANTITY
4302591	Harness Assembly - 4 Watt Heater	1
4751097	Jumper - Heater	1
4302595	Instructions - Installation	1

INSTALLING THE MONETARY HEATER WITH A NEW STYLE COIN HANDLING HARNESS

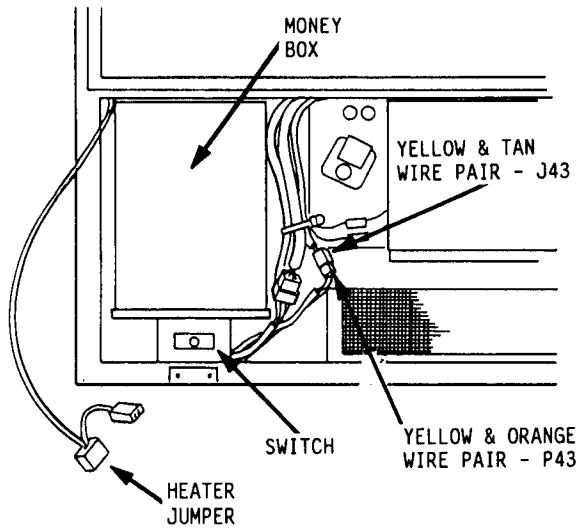


WARNING

DISCONNECT THE MERCHANDISER FROM ITS POWER SOURCE BEFORE STARTING THIS INSTALLATION PROCEDURE.

1. Remove the protective covering from the adhesive on the back of the heater.
2. Position the heater over the shaded portion of the validator housing. Press firmly to secure the heater in place.
3. Connect the heater harness to the free connector of the coin handling harness.

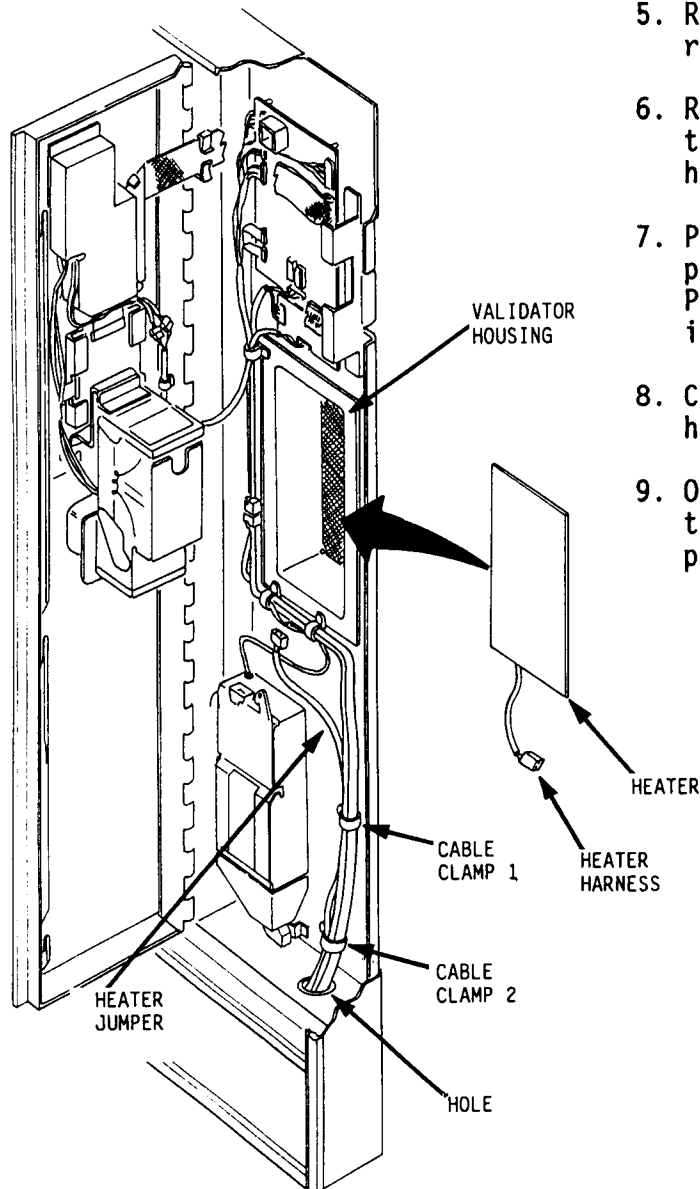
INSTALLING THE MONETARY HEATER WITH AN OLD STYLE COIN HANDLING HARNESS



WARNING

DISCONNECT THE MERCHANDISER FROM ITS POWER SOURCE BEFORE STARTING THIS INSTALLATION PROCEDURE.

1. Separate J43 and P43.
2. Insert the heater jumper between J43 and P43.
3. Route the heater harness under the switch and to the left of the money box.
4. Feed the heater jumper through the hole in the door.
5. Route the heater jumper to the right of the coin mechanism.
6. Remove the protective covering from the adhesive on the back of the heater.
7. Position the heater over the shaded portion of the validator housing. Press firmly to secure the heater in place.
8. Connect the heater harness to the heater jumper.
9. Open cable clamps 1 and 2 and use them to hold the heater jumper in place.



INSTRUCTIONS FOR INSTALLING A MONETARY HEATER KIT

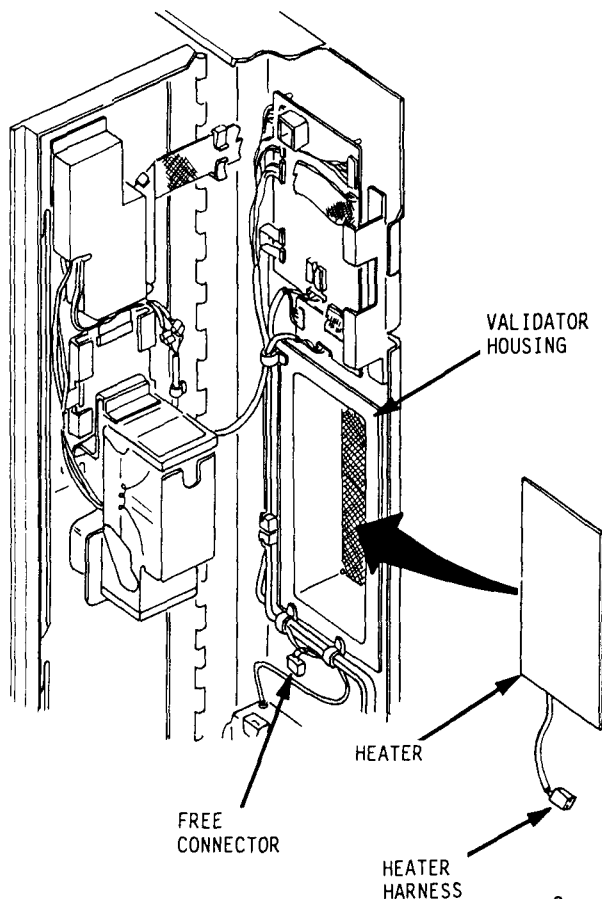
CHECK THE PARTS RECEIVED IN THE KIT WITH THE PARTS LIST IN THESE INSTRUCTIONS. IF ANY PARTS ARE MISSING, CONTACT NATIONAL VENDORS' PARTS DEPARTMENT IMMEDIATELY.

Read these instructions carefully before installing the kit.
Retain these instructions for part numbers and for future reference.

This kit contains the following:

PART NUMBER	DESCRIPTION	QUANTITY
4302591	Harness Assembly - 4 Watt Heater	1
4751097	Jumper - Heater	1
4302595	Instructions - Installation	1

INSTALLING THE MONETARY HEATER WITH A NEW STYLE COIN HANDLING HARNESS

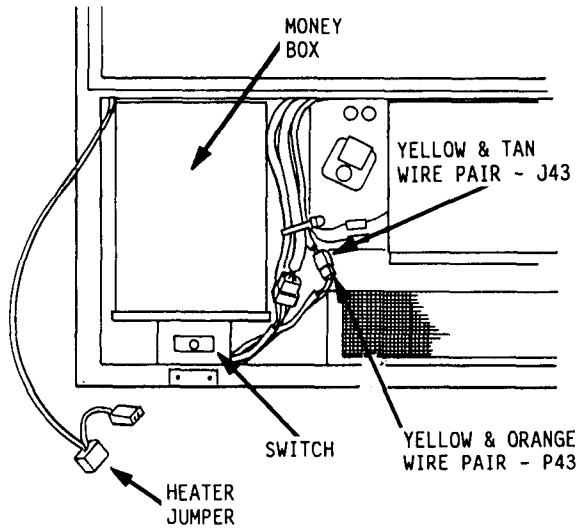


WARNING

DISCONNECT THE MERCHANDISER FROM ITS POWER SOURCE BEFORE STARTING THIS INSTALLATION PROCEDURE.

1. Remove the protective covering from the adhesive on the back of the heater.
2. Position the heater over the shaded portion of the validator housing. Press firmly to secure the heater in place.
3. Connect the heater harness to the free connector of the coin handling harness.

INSTALLING THE MONETARY HEATER WITH AN OLD STYLE COIN HANDLING HARNESS



WARNING

DISCONNECT THE MERCHANDISER FROM ITS POWER SOURCE BEFORE STARTING THIS INSTALLATION PROCEDURE.

1. Separate J43 and P43.
2. Insert the heater jumper between J43 and P43.
3. Route the heater harness under the switch and to the left of the money box.
4. Feed the heater jumper through the hole in the door.
5. Route the heater jumper to the right of the coin mechanism.
6. Remove the protective covering from the adhesive on the back of the heater.
7. Position the heater over the shaded portion of the validator housing. Press firmly to secure the heater in place.
8. Connect the heater harness to the heater jumper.
9. Open cable clamps 1 and 2 and use them to hold the heater jumper in place.

